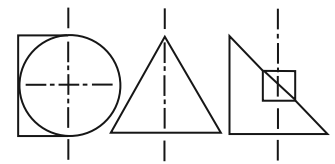


# Coveline LED

## Installation and Maintenance Procedure



PRODUCT NUMBER:- L44XX  
L45XX



IP20 220-240V~50/60 HZ

Country of origin  
United Kingdom

WEE/EA0290TY



ALL LED PRODUCTS REQUIRE THE USE OF  
A SUITABLE RATED DRIVER (SUPPLIED)

SWITCH OFF  
ABSCHALTEN  
DISINSERIRE  
COUPER LE CONTACT

PRODUCT	LENGTH
L4406, L4506	1026mm
L4412, L4512	2052mm
L4418, L4518	3078mm
L4424, L4524	4104mm

**MOUNTING PLATES - 3 PER 2000MM SPACED EQUALLY**

1

JOINING SPLINE

4x GRUB SCREW

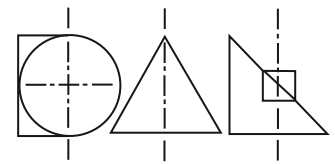
2

3

4

- WARNING. SWITCH OFF MAINS BEFORE INSTALLING OR SERVICING
- REPLACE ANY CRACKED GLASS
- RETAIN PROCEDURE FOR FUTURE USE

# General Installation and Maintenance Procedure for Designed Architectural Lighting Luminaires



## General Information

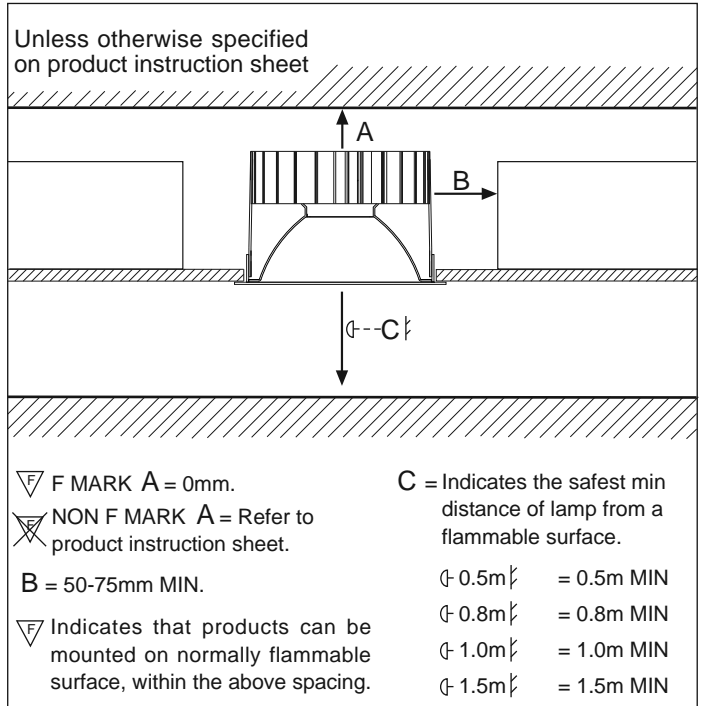
- Follow instruction sheet to ensure safe and reliable operation of product. Retain for future reference.
- The product should NOT be modified. Any modification will negate the safety mark/approvals, and may render the product unsafe.
- DAL accepts no responsibility for modified products. Modifications includes devices fitted between the lamp and lamp holder.
- All replacement component should be identical with those replaced. Disposal to be as manufacturer's instructions.
- DAL track luminaire must only be used on DAL track system or equivalent for which they are designed.

## Installation and Supply

- Unless specified otherwise, all products are IP20. DO NOT operate in damp or corrosive situations.
- Disconnect from mains supply before installation, maintenance or replacing fuse or lamp. Care must be taken when drilling holes near existing installation wiring, to avoid electric shock.
- Metal enclosed, Class II and Class III products must not be mounted in contact with or close to Earthed metal work, e.g. structural system of suspended ceilings.
- S.E.L.V. - To be used with Double Insulated. Extra Low Voltage, Safety Isolating Transformer or Driver only.
- When dimming is required, low voltage fittings should only be operated by a specifically rated dimmer.
- DAL accepts no responsibility for the effects of corrosive element in the installation/atmosphere.
- Any closure or ceiling void which prevents normal heat dissipation may cause reduced performance, overheating and risk of fire.

## Maintenance

- Only lamps of correct type and rating should be used, and fully and correctly inserted into the lampholder. Manufacturers instructions should be complied with.
- Certain lamp types (Metal Halide / Tungsten Halogen) reach maximum temperature rapidly. Care must be taken when adjusting or relamping.
- Metal Halide Lamps - Replace failed lamps promptly to avoid ballast damage.
- Replace all cracked or damaged safety glass immediately.
- Regular and careful cleaning is required to ensure optimum performance and safety. Designed Architectural Lighting accepts no responsibility for the effect of solvents used when installing, servicing or re-decorating the surround, or for the accumulation of dust and dirt.



<h3>CLASS I</h3> <p>THIS CLASS MUST BE EARTHED</p>	<h3>LEGEND</h3> <p>P/L - BROWN / L / COLOUR RED          N - BLUE / N / COLOUR BLACK          ⊕ - GREEN / YELLOW / EARTH E / ⊕ / COLOUR GREEN</p> <p>* TEMPERATURE RATING OF CABLE</p>
--	--

<h3>CLASS II <span style="border: 1px solid black; padding: 0 2px;"> </span></h3> <p>DOUBLE INSULATED</p> <p>DO NOT USE ⊕ TERMINAL</p>	<h3>LEGEND</h3> <p>P/L - BROWN / L / COLOUR RED          N - BLUE / N / COLOUR BLACK          ⊕ - GREEN / YELLOW / EARTH E / ⊕ / COLOUR GREEN</p> <p>* TEMPERATURE RATING OF CABLE</p>
--	--

<h3>CLASS III <span style="border: 1px solid black; padding: 0 2px;">III</span></h3> <p>LOW VOLTAGE</p> <p>DO NOT USE ⊕ TERMINAL</p>	<h3>LEGEND</h3> <p>P/L - BROWN / L / COLOUR RED          N - BLUE / N / COLOUR BLACK          ⊕ - GREEN / YELLOW / EARTH E / ⊕ / COLOUR GREEN          V - 6V / 12V / 24V / 48V AS INDICATED</p> <p>* TEMPERATURE RATING OF CABLE</p>
--	---